

StereoBlue

HIGHLIGHTS

- ✓ Dual 1x/3x or 2x/4x magnification versions
- ✓ Zoom Stereo 0.7x to 4.5x versions
- ✓ Ergonomically designed stands
- ✓ Pillar & Rack- and pinion versions available
- ✓ 3 W LED illuminators
- ✓ Ergonomical carrying grip
- ✓ 5 years warranty

Specifications

Eyepieces

Pair WF 10x/20 mm eyepieces

Head

Binocular or Trinocular 45° inclined tubes

Two diopter adjustments

Interpupillary distance adjustable between 55 mm and 75 mm

All optical parts are anti-fungus treated

Dual magnification objectives

Nosepiece with dual 1x/3x or 2x/4x revolving objectives

Magnifications 10x/30x or 20x/40x

Field of views 20 mm/6.6 mm or 10 mm/5.0 mm

Working distance 100 mm

Zoom objective

Zoom Stereo 0.7x to 4.5x parafoveal objective

Magnification from 7x to 45x

Field of views 28.5 mm to 4.4 mm

Working distance 100 mm

Stand

Pillar and rack- and pinion versions are available

Ergonomically designed base with 2 object clamps

Alloy metal cast, hardened off-white coated

Focusing adjustment

Coarse adjustment with tension control

Illumination

The 3 W transmitted and incident LEDs illuminators can be used simultaneously

Both light intensities can be adjusted separately



SB.1903

Models	Features						
	Binocular head	Trinocular head	1x/3x objective	2x/4x objective	0,7-4,5x zoom	Pillar stand	Rack & pinion
SB.1302	•		•				•
SB.1302-P	•		•			•	
SB.1402	•			•			•
SB.1402-P	•			•		•	
SB.1902	•				•		•
SB.1902-P	•				•	•	
SB.1903		•			•		•
SB.1903-P		•			•	•	

Accessories & Spare parts

SB.6010 Pair HWF 10x/20 mm eyepiece
 SB.6015 Pair HWF 15x/15 mm eyepiece
 SB.6020 Pair HWF 20x/10 mm eyepiece
 SB.6110 HWF 10x/20 mm eyepiece with micrometer

SB.6099 Pair eyeshades

SB.8905 Auxiliary 0.5x lens, only suitable for zoom models with pillar stands (SB.1902-P & SB.1903-P)
 With rack- and pinion models the sample thickness is max. 2 cm. Working distance 170 mm

SB.8907 Auxiliary 0.75x lens for zoom models
 Working distance 114 mm

SB.8915 Auxiliary 1.5x lens for zoom models
 Working distance 48 mm

SB.9570 Pair object clamps for stage

SB.9833 C-mount adapter with 0.33x lens for 1/3" cameras
 Only for SB.1903

SB.9850 C-mount adapter with 0.5x lens for 1/2" cameras
 Only for SB.1903

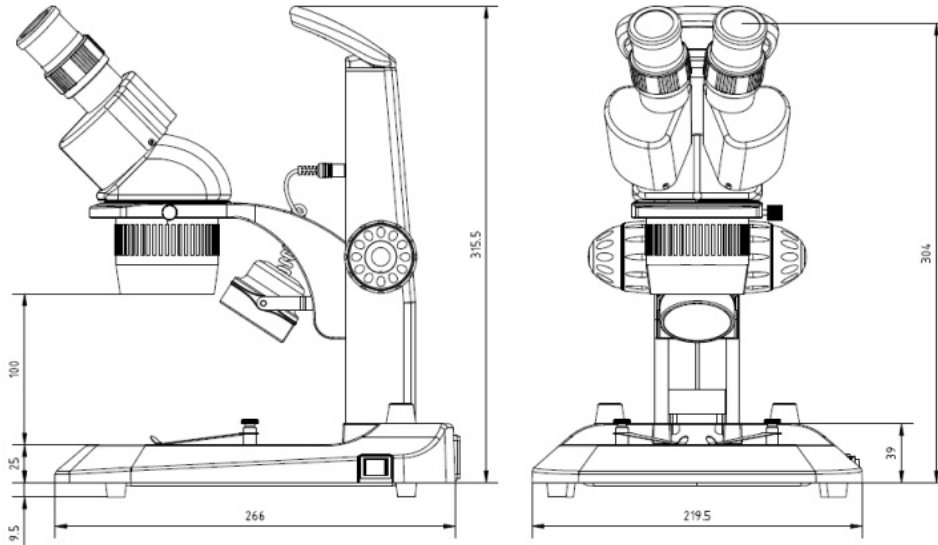
SB.9952 Stage plate transparent, Ø 60 mm

SB.9956 Stage plate black/white, Ø 60 mm

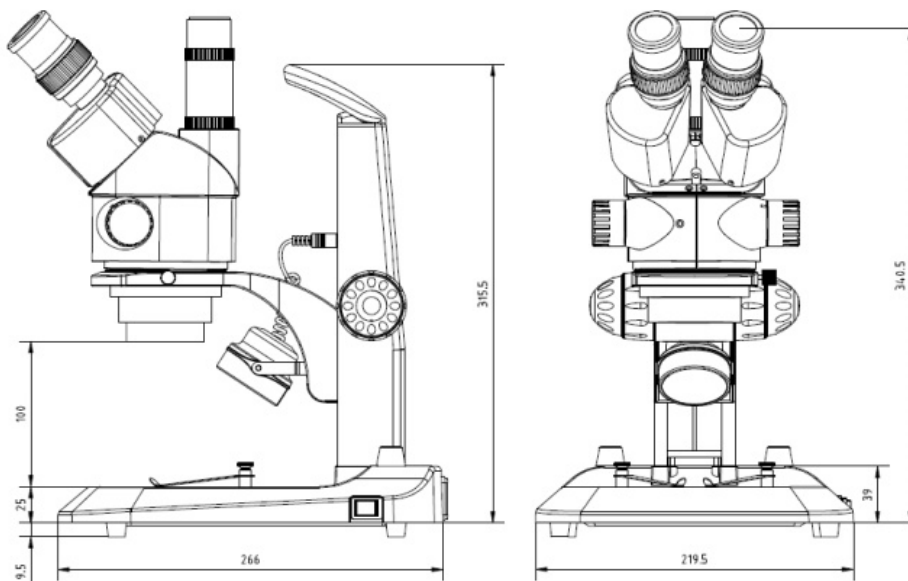
AE.1112 Object micrometer 50 mm divided in 500 parts
 on 76 x 26 mm glass slide



SB.1402

Dimensions


SB.1302 / SB.1402



SB.1903